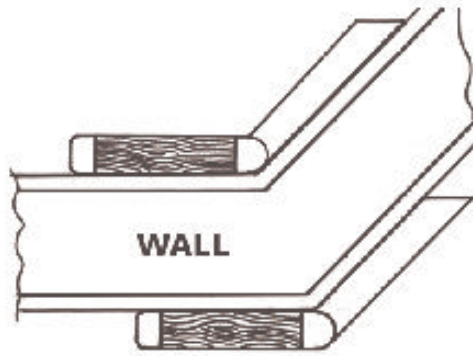


DOUBLE MITER



↓ 20.5°

