

First determine your spring angle...

Fit a sample of your crown on the red lines to determine which colour coded chart to use.

38° Spring Angle Chart

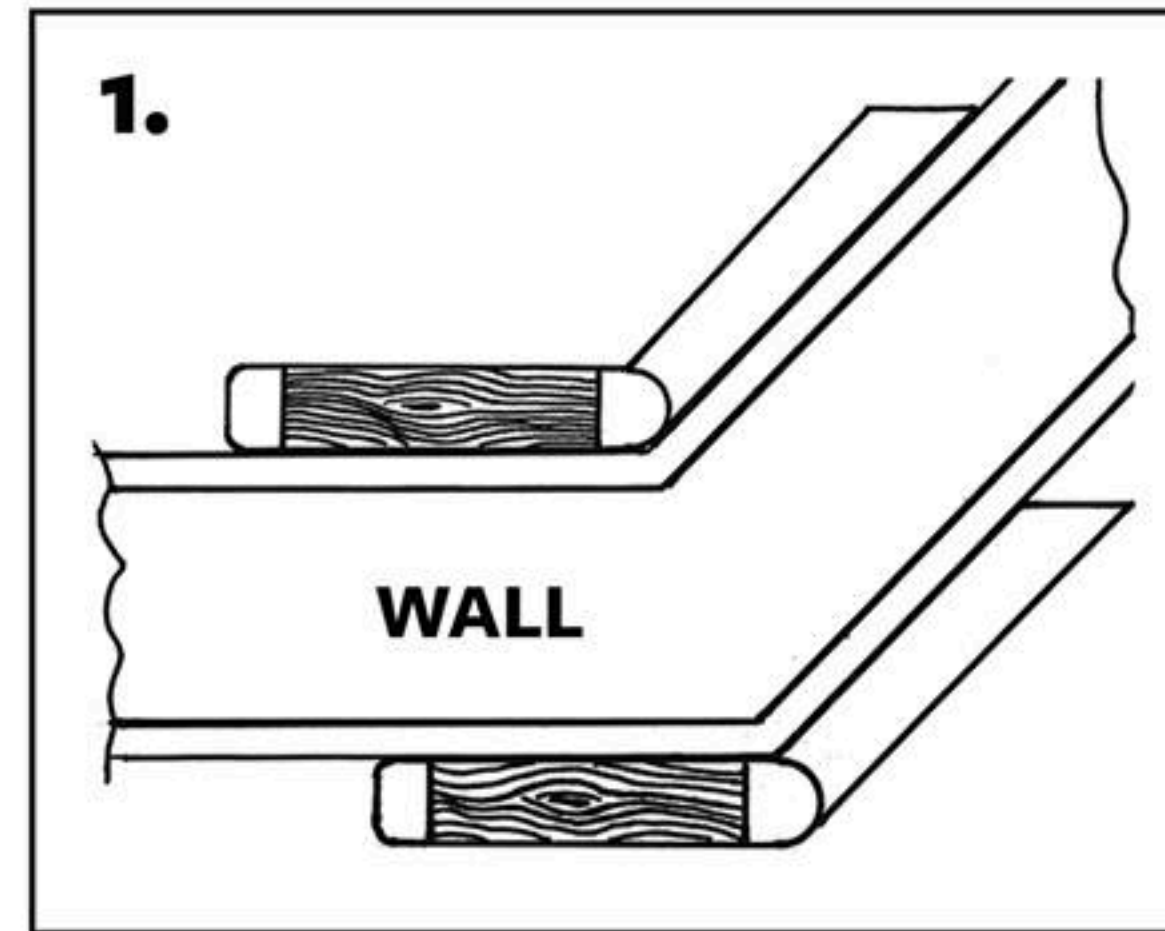
SAWSET Double Miter	Miter Table Setting	Bevel Tilt Setting
0.0	0.0	0.0
0.5	0.3	0.4
1.0	0.6	0.8
1.5	0.9	1.2
2.0	1.2	1.6

45° Spring Angle Chart

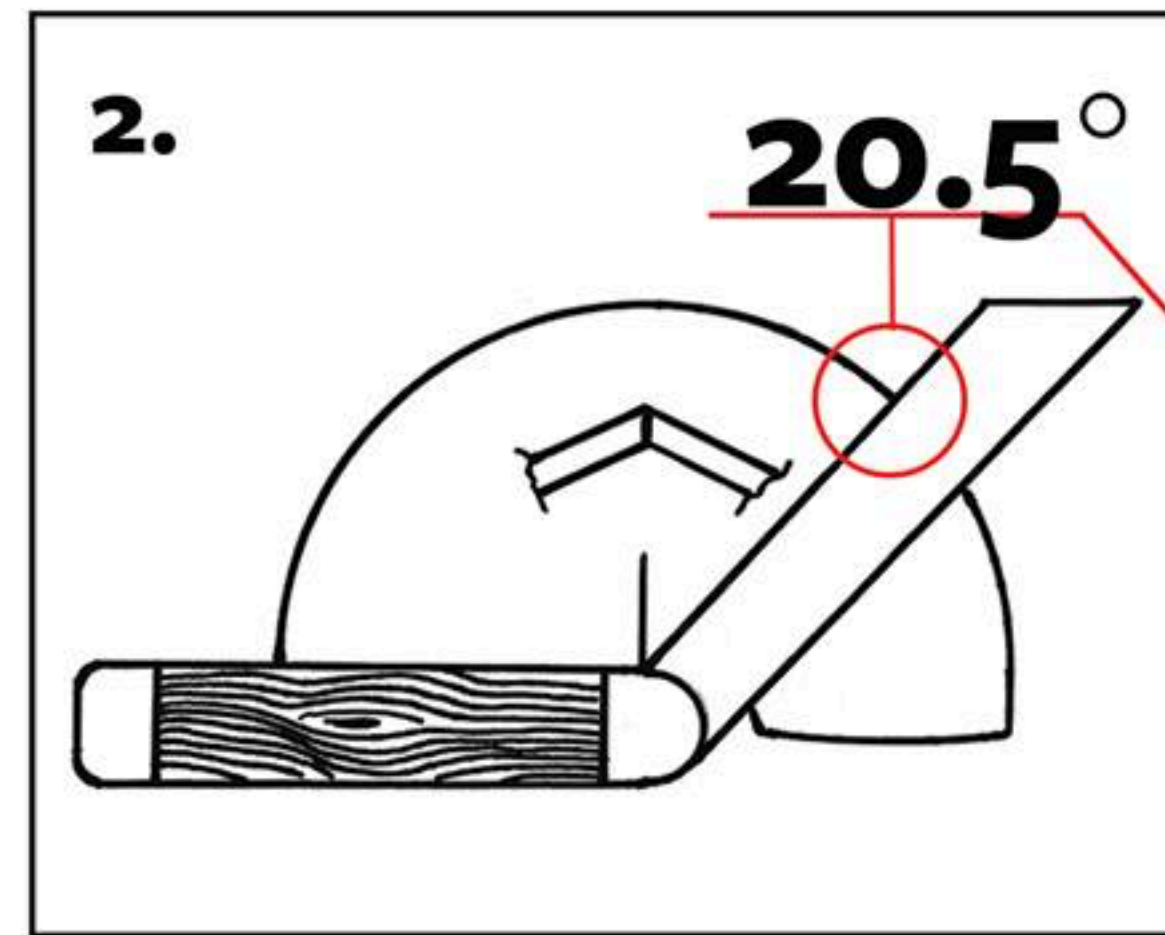
SAWSET Double Miter	Miter Table Setting	Bevel Tilt Setting
0.0	0.0	0.0
0.5	0.4	0.4
1.0	0.7	0.7
1.5	1.1	1.1
2.0	1.4	1.4

Then find your wall angle and saw setting...

THESE INSTRUCTIONS ARE ONLY TO BE USED FOR THE CROWN MOULDING CUT ON THE FLAT METHOD



1. Place the T-Bevel on the inside or outside corner you're cutting
2. Place the T-Bevel on Double Mitre side of Sawset to find correct setting
3. Refer to the appropriate chart to find the Table & Tilt setting
4. Set the Table & Tilt positioning of your saw, then cut



3.

SAWSET Double Miter	Miter Table Setting	Bevel Tilt Setting
20.0	12.6	15.6
20.5	13.0	16.0
21.0	13.3	16.4
21.5	13.6	16.8
22.0	14.0	17.2
22.5	14.3	17.6

